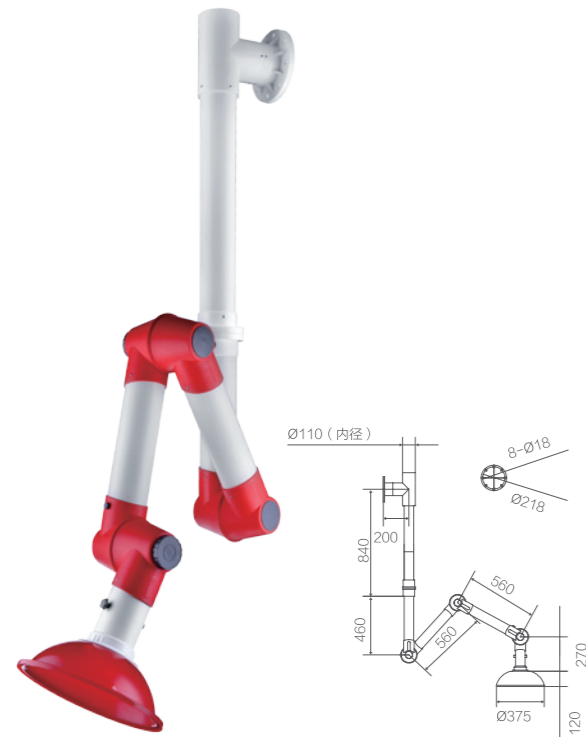


万向抽气罩（吸顶式、壁式）

- 关节：高密度 PP 材质，可 360° 旋转调节方向，易拆卸、重组及清洗
- 关节密封圈：不易老化之高密度橡胶
- 支撑弹簧 / 关节连接杆：304 不锈钢
- 关节松紧旋钮：高密度 PP 制成，内嵌铜质螺母，与关节连接杆锁合
- 气流调节阀：手动调节外部阀门旋钮，控制进入之气流
- 拱形 / 杯形集气罩：直径 375mm/200mm，高密度 PP 制成，红色、灰色和透明三种选择
- 伸缩导管：直径 110mmPVC
- 固定架：高密度 PP 材质（吸顶式 / 壁式）

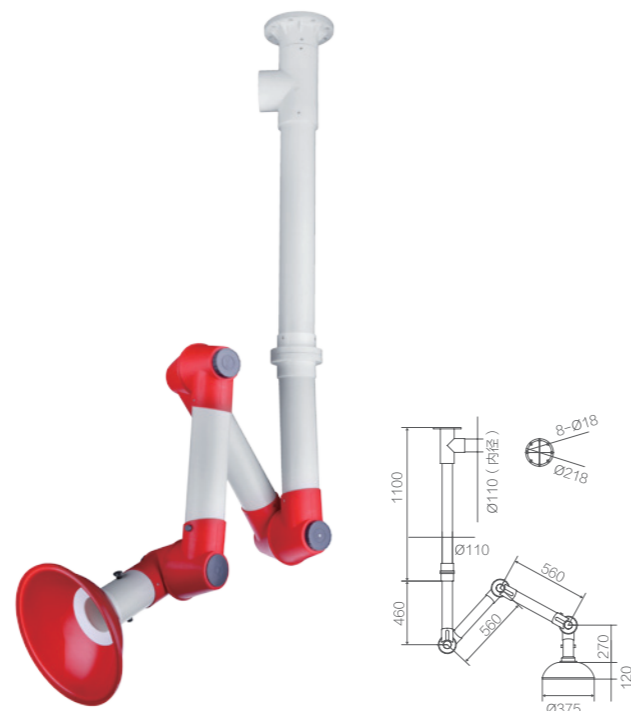
FUME EXHAUST(CEILING/WALL)

- Joint: High grade PP, to be 360° swiveled, dismantled & assembled easily for cleaning
- Joint seal ring: low-friction treated rubber
- Support spring/center bolt: Stainless steel 304
- Adjustable joint knob: High grade PP with a molded-in brass nut locking with center bolt
- Damper: To manually adjust airflow by a knob
- Dome/cup hood: D375mm/200mm, high grade PP red, grey & transparent available
- Tube: D110mm PVC
- Bracket: High grade PP (ceiling/wall mounted)



WJH0604B-1

万向壁式抽气罩（三节）
Ceiling Fume Exhaust(3 Joint)



WJH0604B

万向顶式抽气罩（三节）
Ceiling Fume Exhaust(3 Joint)

WJH0607 万向抽气罩（铝合金）

- 关节：高密度 PP 材质，可 360° 旋转调节方向，易拆卸、重组及清洗。
- 关节及密封圈：不易老化之高密度橡胶
- 关节连接杆：304 不锈钢
- 关节松紧旋钮：全铜材质，内嵌不锈钢轴承，于关节连接杆锁合
- 气流调节阀：手动调节外部阀门旋钮，控制进入之气流
- 拱形 / 杯形集气罩：高密度 PP/PC 材质
- 伸缩导管：75mm 合金管
- 独有 360° 旋转装置：以固定架为中心最大活动半径可达 1600mm
- 固定底座：非粘接而成，模具注塑一体成型，牢度强，不脱底。

WJH0607 fume exhaust(aluminum alloy)

- Joint: high grade PP, to be 360° swiveled, easy to dismantle, assemble & clean
- Sealing ring: low-friction treated rubber
- Center bolt: 304 stainless steel
- Adjustable joint knob: brass material, embedded stainless steel bearing, locked lever in joints.
- Air flow control valve: adjust the external valve knob manually to control the entering of the gas flow
- Arch/Cup gas-collecting hood: high density PP/PC material
- Tube: 75mm aluminum alloy
- Unique 360° rotary device: with a fixed frame as the center, radius of activities is 1600 mm
- Installation bracket: injection of plastics from a complete mold, mounting panel strongly connected to the joint



WJH0607

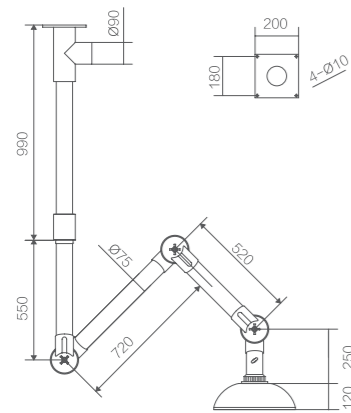
万向抽气罩（铝合金）
Fume Exhaust(Aluminum Alloy)

万向抽气罩（吸顶式、壁式）

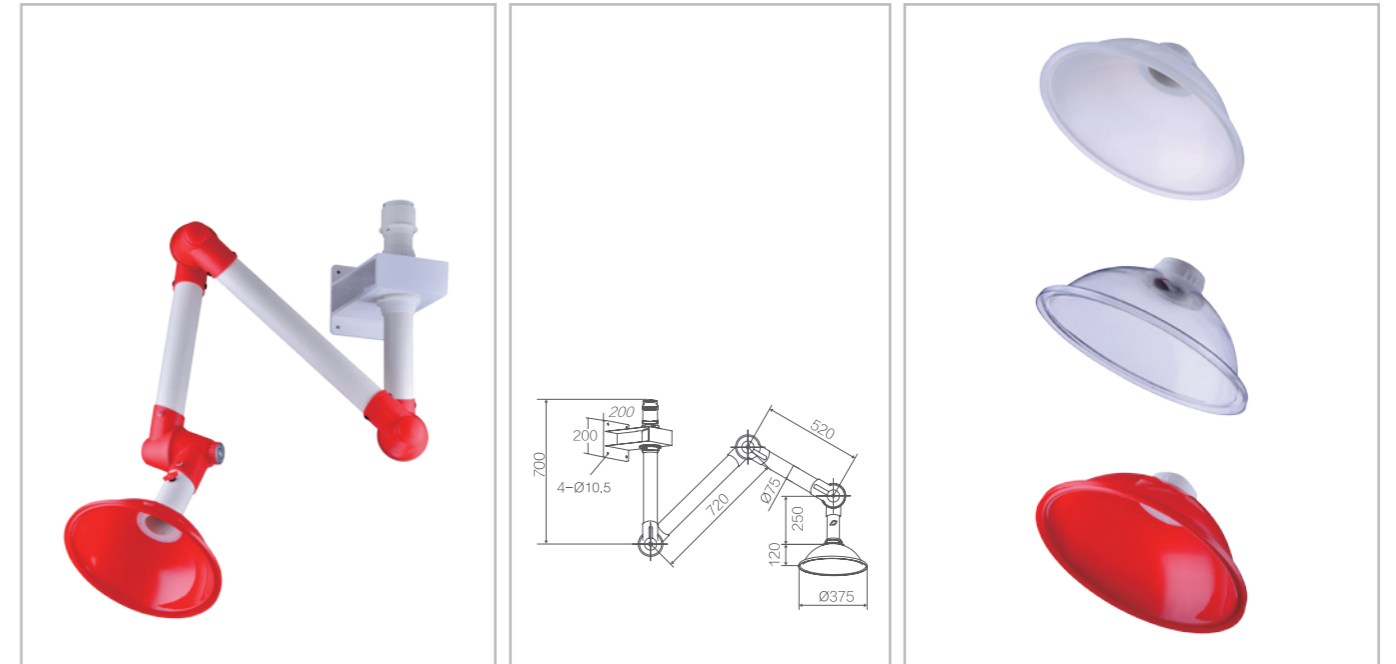
- 关节：高密度 PP 材质，可 360° 旋转调节方向，易拆卸、重组及清洗
- 关节密封圈：不易老化之高密度橡胶
- 支撑弹簧 / 关节连接杆：304 不锈钢
- 关节松紧旋钮：高密度 PP 制成，内嵌铜质螺母，与关节连接杆锁合
- 气流调节阀：手动调节外部阀门旋钮，控制进入之气流量
- 拱形 / 杯形集气罩：直径 375mm/200mm，高密度 PP 制成，红色、灰色和透明三种选择
- 伸缩导管：直径 75mmPVC / PP
- 固定架：高密度 PP 材质（吸顶式 / 壁式）

FUME EXHAUST(CEILING/WALL)

- Joint:high grade PP,to be 360° swiveled,dismantled & assembled easily for cleaning
- Joint seal ring: High-density anti-aging rubber
- Support spring/center bolt:stainless steel 304
- Adjustable joint knob:high grade PP with a molded-in brass nut locking with center bolt
- Air flow control valve: adjust the external valve knob manually to control the entering of the gas flow
- Dome/cup hood:D375mm/200mm, high grade PP red, grey & transparent available
- Rigid Flexible Duct:D75mm PVC/PP
- Bracket:high grade PP (ceiling/wall mounted)



WJH0604
万向顶式抽气罩（三节）
Ceiling Fume Exhaust(3 Joint)



WJH0604-1
万向壁式抽气罩（三节）
Ceiling Fume Exhaust(3 Joint)



WJH0603
万向顶式抽气罩（三节）
Ceiling Fume Exhaust(3 Joint)

WJH0604A
万向顶式抽气罩（三节）
Ceiling Fume Exhaust(3 Joint)

WJH0604A-1
万向顶式抽气罩（三节）
Ceiling Fume Exhaust(3 Joint)